

# INSTALLATION INSTRUCTIONS RECTANGULAR UNDERMOUNT SINKS



## C2018

18-1/8"x13-3/4"x7-7/8"



**CAUTION:** Risk of personal injury or product damage. Handle with care. Product can break, chip or cause injury if handled carelessly. Get help lifting the lavatory.

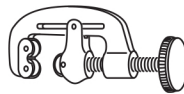
### Recommended Tools & Materials



Phillips Screwdriver



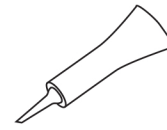
Regular Screwdriver



Tubing Cutter



Channel Lock Pliers



Silicone Adhesive



Pipe Wrench



Tape Measure



Basin Wrench



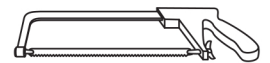
Putty Knife



Adjustable Wrench



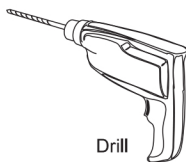
Plumbers' Putty



Hacksaw



Saber Saw



Drill

**NOTE:** More specialized tools may be necessary to install this sink to countertop materials other than wood or wood composites.

1

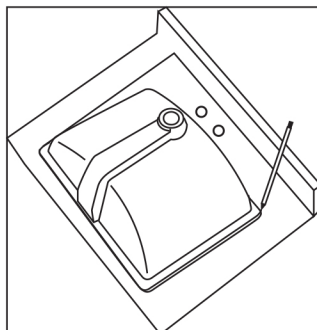
Undercounter lavatories should be installed by experienced installers.

Inspect the drain and supply tubing. Replace if necessary.

Use the template supplied with the lavatory.

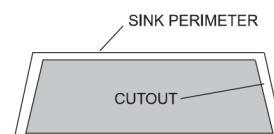
Do not use adhesives or adhesive sealants with this product.

Install so future removal from underneath the countertop is possible. This will avoid countertop damage.



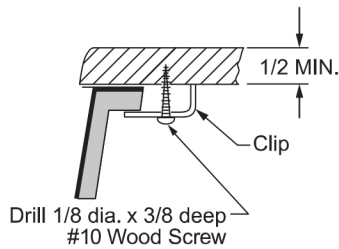
2

- If possible, install the drain to the lavatory before installing the lavatory.
- Install the water supplies and drain piping according to the roughing-in information.
- Verify cabinet clearance beneath the countertop to accommodate lavatory basin, faucet valving, and drain piping.
- Cut out the template where indicated for the countertop opening.
- Cut along the inside of the cutting line.
- Position the template on the countertop to ensure clearance between the lavatory, faucet, and backsplash.
- Trace around the template on the countertop with a pencil.
- Mark the faucet hole centerline on the countertop.
- Cut out the countertop opening by carefully following the pencil line traced from the template. Position the lavatory in the cutout and verify fit.



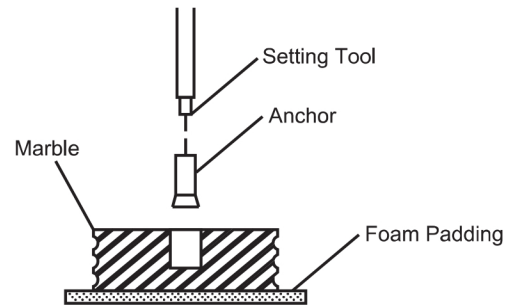
### 3 FOR WOOD COUNTERTOPS

- Mark and pre-drill the wood screw holes at the locations shown on the template.
- Waterproof any exposed areas of wood.



### 4 FOR MARBLE/STONE COUNTERTOPS

- Position the countertop upside down on foam padding to protect the surface.
- Mark and drill 3/8" holes 5/8" (1.6 cm) deep at the locations shown on the template.
- Use a setting tool and hammer to secure the anchors.



### 5 FOR ALL INSTALLATIONS

- If the countertop has not been installed, install it at this time.
- Drill the faucet holes according to the faucet installation instructions.
- Install the faucet and drain according to the manufacturer's instructions.
- Apply a continuous bead of quality sealant to the top surface of the lavatory rim where it will contact the countertop.
- For Marble/Stone Countertops:** Install the lavatory to the countertop with the clamps and anchor screws provided.
- For Wood Countertops:** Install the lavatory to the countertop with the clamps and wood screws provided.
- For Other Countertop Materials:** Refer to the countertop manufacturer's instructions for recommended fasteners.

**IMPORTANT!** Risk of product damage. Overtightening the nuts may cause irreparable damage to the lavatory.

- Position the lavatory squarely under the cutout before tightening the clamps.
- Draw the lavatory rim up against the countertop until it is snug. Do not overtighten.
- Immediately wipe away any excess sealant and fill any voids as needed.
- Allow the sealant to set for 30 minutes before proceeding.
- Connect and tighten the trap to the drain, and complete the water supply connections to the faucet according to the instructions packed with the faucet.
- Run water into the lavatory and check for leaks.