

INSTALLATION INSTRUCTIONS

VESSEL SINK

DUKO®

BVS1616A-OL

16-9/64"x16-9/64"x5"



Introduction: To help insure that the installation process will proceed smoothly, please read these instructions carefully before you begin. Also, review the recommended tools and materials list; carefully unpack and examine your new plumbing fixture.

⚠ CAUTION: PRODUCT IS FRAGILE. TO AVOID BREAKAGE AND POSSIBLE INJURY HANDLE WITH CARE!

NOTE: *Pictures may not exactly define contour of china and components.*

Recommended Tools & Materials



Putty Knife



Regular Screwdriver



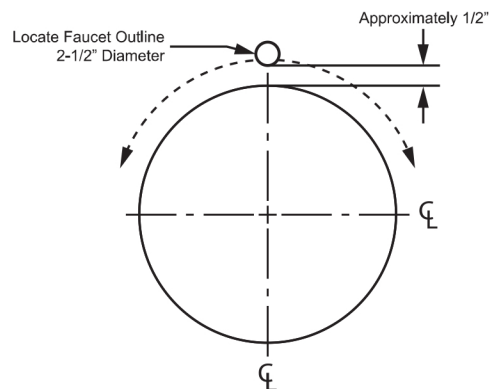
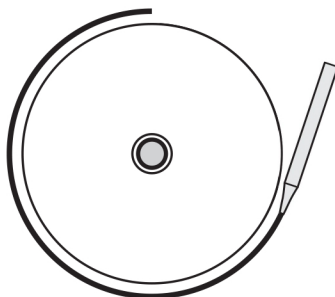
Adjustable Wrench



Sealant

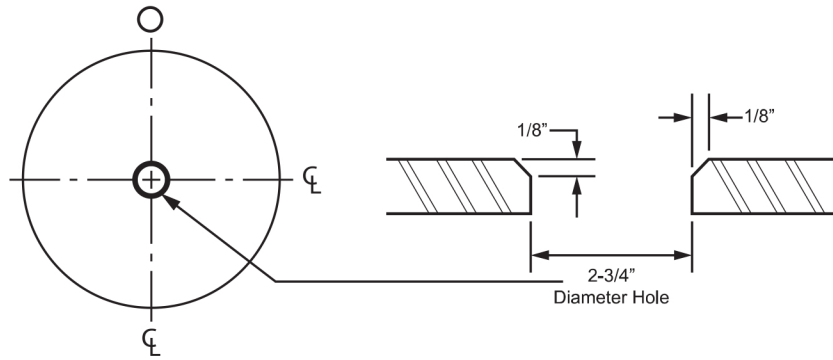
1 POSITION AND TRACE BASIN

- Turn basin upside down and locate in position on countertop.
- Trace basin outline.



2 DRILL AND CHAMFER HOLE

- a. Find center of basin outline.
- b. Drill a 2-3/4" diameter hole.
- c. Chamfer top edge 1/8"



3 MOUNT SINK

- a. Apply silicone bead to top chamfer.
- b. Mount sink to countertop using supplied waste fittings.

