

# INSTALLATION INSTRUCTIONS

## VESSEL SINK

# DUKO®

## BVS1818A-OL

18-1/4"x18-1/4"x6-1/4"



**Introduction:** To help insure that the installation process will proceed smoothly, please read these instructions carefully before you begin. Also, review the recommended tools and materials list; carefully unpack and examine your new plumbing fixture.

**⚠ CAUTION: PRODUCT IS FRAGILE. TO AVOID BREAKAGE AND POSSIBLE INJURY HANDLE WITH CARE!**

NOTE: *Pictures may not exactly define contour of china and components.*

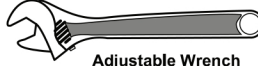
### Recommended Tools & Materials



Putty Knife



Regular Screwdriver



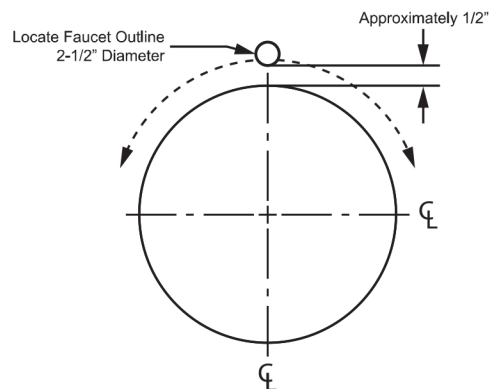
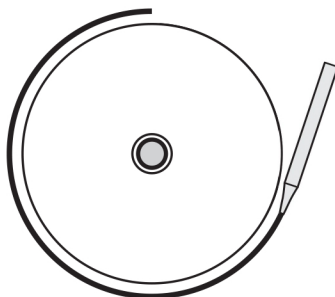
Adjustable Wrench



Sealant

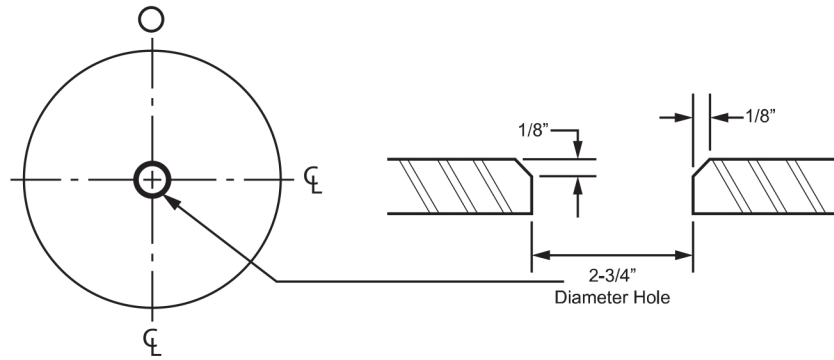
#### 1 POSITION AND TRACE BASIN

- Turn basin upside down and locate in position on countertop.
- Trace basin outline.



**2 DRILL AND CHAMFER HOLE**

- a. Find center of basin outline.
- b. Drill a 2-3/4" diameter hole.
- c. Chamfer top edge 1/8"



**3 MOUNT SINK**

- a. Apply silicone bead to top chamfer.
- b. Mount sink to countertop using supplied waste fittings.

