



“Our products make the difference.”

## Undermount Sink

### MU3018S-ADA

30"x18"x5-1/2"

Single Bowl Undermount Kitchen Sink

This Undermount Stainless Steel Kitchen Sink features a generous 5-1/2" depth basin, This sink is pressed from durable stainless steel with clean, modern lines that bring a finished look to any kitchen.

#### Product Features

- 28" Basin pressed Kitchen Sink
- High-quality 18-gauge thickness stainless steel for lasting durability
- 5-1/2" depth
- Undermount installation
- Cutout template and instructions included

#### Technical

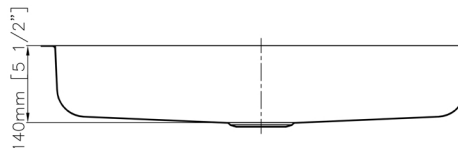
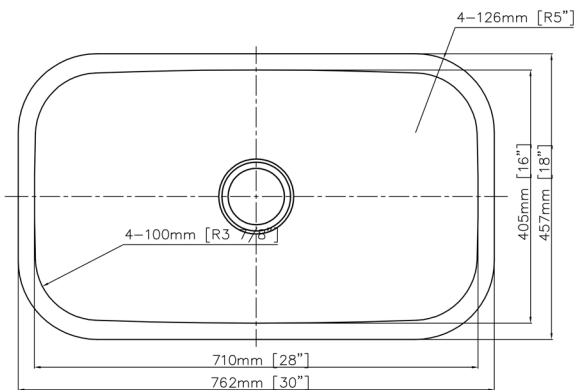
- **Nominal Dimensions:**  
30"x18"x5-1/2"  
762x457x140mm
- **Bowl Size:**  
28"x16"  
711.2x406.4mm

#### Quality Assurance

- Factory tested
- 10-year limited warranty



\* Sink only. Waste fittings not included.



[www.dukobrand.com](http://www.dukobrand.com)



1411 E Orangethorpe Ave, Fullerton, CA 92831 Tel: 800-315-3776 Email: [info@dukous.com](mailto:info@dukous.com)