



“Our products make the difference.”

## Two-Piece Toilets

### A249R+T49S

Two-Piece, Dual Flush, Round Front

#### A Classic Design with a Water Saving Flush System

Made from a durable vitreous china, the Laguna 1.28 elongated toilet delivers that classic look of a two-piece toilet. With a water-saving 1.28 gallons per flush, the quiet and dependable flushing system gives homeowners peace of mind while conserving water.

#### Product Features

- 2" Fully glazed trapway - NO clogs, NO leaks
- Reliable and exclusive water fittings - bringing a quiet and powerful flush
- Siphonic, Two-piece
- Vitreous China
- cUPC & WaterSense certified

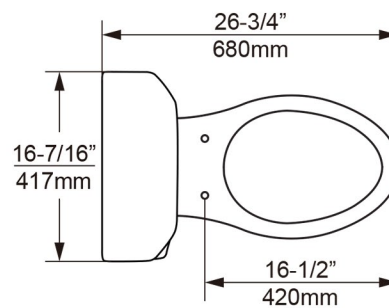
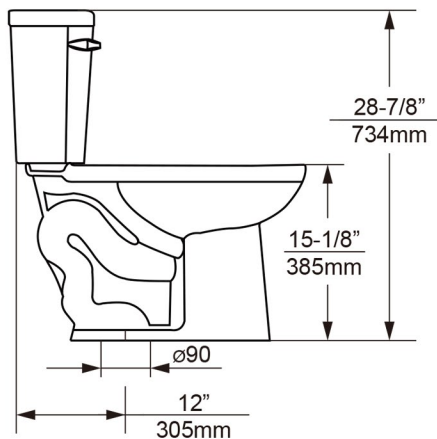
#### Technical

- Single flush 1.28gpf (4.8Lpf)
- S-trap, 12"/305mm rough-in
- 2"/51mm fully-glazed trapway
- 16-1/2"/420mm from seat bolt hole to front
- 15-1/8"/385mm height of the bowl
- 3"/76.2mm tank outlet
- Nominal Dimensions:  
26-3/4" x 16-7/16" x 28-7/8"  
680mm x 417mm x 734mm



#### Quality Assurance

- Factory flush-tested
- 10-year limited warranty



[www.dukobrand.com](http://www.dukobrand.com)

