



“Our products make the difference.”

## One-Piece Toilets

### A265D

One-Piece, Dual Flush, Elongated Toilet

#### A Modern and Bold Design

With a modern and bold design, this one-piece, dual flush toilet features our water-saving 1.6/1.1 gallons dual flush flushing system. This gives homeowners peace of mind while conserving water.

#### Product Features

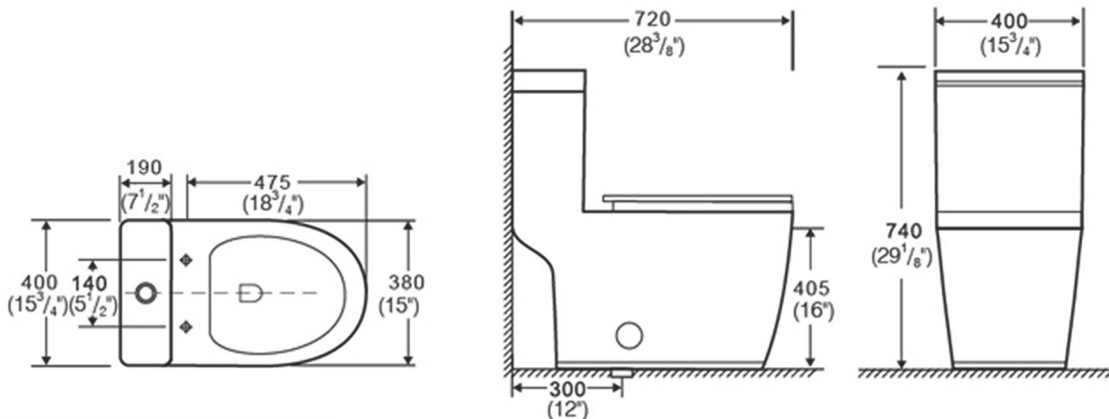
- Reliable and exclusive water fittings – bringing a quiet and powerful flush
- Computer designed, fully glazed trapway
- Elongated bowl with soft close seat
- cUPC certified

#### Technical

- Dual Flush 1.6, 1.1gpf (6.0, 4.0lpf)
- S-trap, 11.8"/300mm rough-in
- 1.7"/43mm trapway
- 18-3/4"/475mm from seat bolt hole to front
- 16"/405mm height of the bowl
- 3"/76.2mm tank outlet
- Nominal Dimensions:  
28-3/8" x 15-3/4" x 29-1/8"  
720mm x 400mm x 740mm

#### Quality Assurance

- Factory flush-tested
- 10-year limited warranty



[www.dukobrand.com](http://www.dukobrand.com)



1411 E Orangethorpe Ave, Fullerton, CA 92831 Tel: 800-315-3776 Email: [info@dukous.com](mailto:info@dukous.com)