



“Our products make the difference.”

Drop-in Sink

## MT3322C

33-1/8"x22"x8-5/8"

Single Bowl Drop-in Kitchen Sink

This Drop-in stainless steel kitchen sink features a generous 8-3/8" depth basin, making it the right choice of handling large pots, pans, and dishes easily. This sink is made from 18-gauge stainless steel, and the bowl is a spacious 8-3/8" deep.

### Product Features

- Handcrafted stainless steel kitchen sink
- Single basin design for maximum workspace
- High-quality 18-gauge thickness stainless steel for lasting durability
- Bowl gives you maximum space for washing dishes or other household tasks
- Drop-in installation
- Cutout template and instructions included



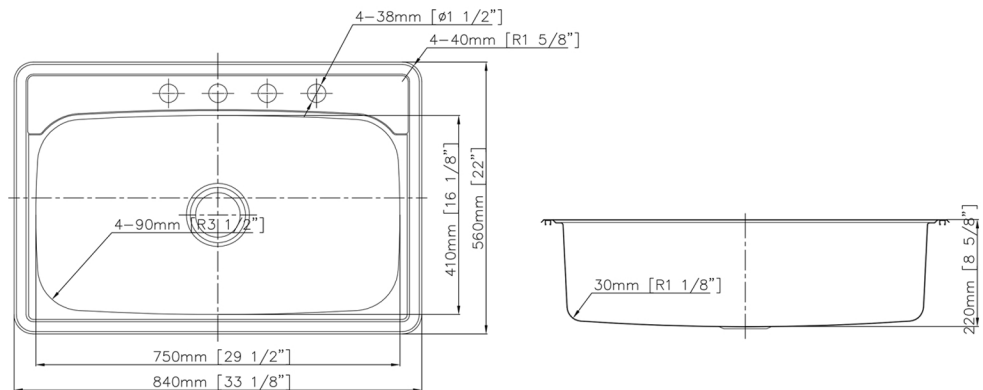
\* Sink only. Waste fittings not included.

### Technical

- **Nominal Dimensions:**  
33-1/8"x22"x8-5/8"  
840x560x220mm
- **Bowl Size:**  
29-1/2"x16-1/8"  
750x410mm

### Quality Assurance

- Factory tested
- 10-year limited warranty



[www.dukobrand.com](http://www.dukobrand.com)



1411 E Orangethorpe Ave, Fullerton, CA 92831 Tel: 800-315-3776 Email: [info@dukous.com](mailto:info@dukous.com)