

## C4016

16-3/4"x13-1/8"x7-1/2"

Oval Undermount Sink

This undermount sink will make a great addition to any bathroom, regardless of style. The sink offers a rimless, rectangular design and concealed front overflow.

### Product Features

- Constructed of vitreous china
- Rectangular basin with overflow
- Undermount installation
- No faucet holes, requires wall or counter-mount faucet
- Faucet, drain assembly, p-trap, shut-off valve, and supply lines are sold separately.

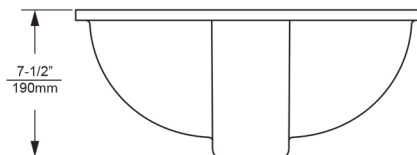
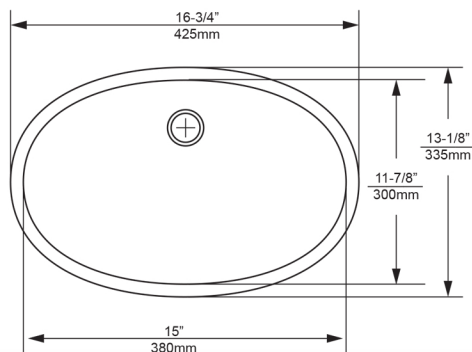
### Technical

- Unglazed Rim Size:  
16-3/4"x13-1/8"x7-1/2"  
425mmx335mmx190mm
- Bowl Size:  
15"x11-7/8"  
380mmx300mm
- Supplied with cut-out template



### Quality Assurance

- Factory tested
- 10-year limited warranty



[www.dukobrand.com](http://www.dukobrand.com)